

# Infrared thermometer Instruction manual

**MODEL: GM550**



## A. Introduction

This infrared thermometer is used for measuring the temperature of the object's surface, which is applicable for various hot, hazardous or hard to reach objects without contact safely and quickly.

This unit consist of Optics, Temperature Sensor Signal amplifier, Processing circuit and LCD Display. The Optics collected the infrared energy emitted by object and focus onto the Sensor. Then the sensor translates the energy into an electricity signal. This signal will be turned out to be digital shown on the LCD after the signal amplifier and processing circuit.

## B. Warning & Cautions

### 1. Warning: ⚠️ ⚠️

To avoid the potential situation may cause harm or damage to people, please pay attention to the following items:

- 1) Before you use this unit, check on the plastic housing carefully. If there is any damage, do not use it
- 2) Do not point laser directly at eye or indirectly off reflective surfaces.
- 3) Do not use this unit in the environment of explosive gas, steam or dusty.

### 2. Caution: ⚠️

To avoid the damage of the unit or the target, please protect from the following situations:

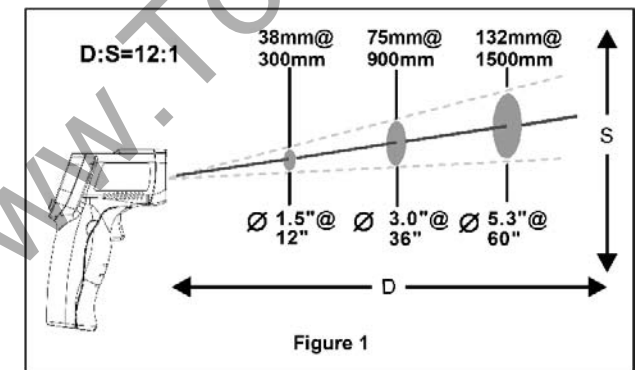
- 1) EMF (electro-magnetic fields) from arc welders, or induction heaters.

- 2) Thermal shock caused by high temperature changes allow 30 minutes for unit to stabilize before use.
- 3) Do not leave the unit on or near objects of high temperature

## C. Distance to Spot size

- 1) When take measurement, pay attention to the D stance to Spot Size. As the Distance (D) from the target surface increases, the spot size (S) of the area measured by the unit becomes larger. The Distance to Spot size of the unit is 12:1

\*\*\*This unit is equipped with a laser, which is used for aiming.



- 2) Field of view: Make sure the target is larger than the unit's spot size. The smaller the target the closer measure distance. When accuracy is critical, make sure the target is at least twice as large as the spot size.

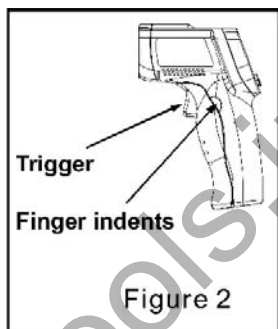
## D. Emissivity

Most organic materials and painted or oxidized surfaces have an emissivity of 0.95 (pre-set in the unit). Inaccurate readings will result from measuring shiny or polished metal surfaces. To compensate, cover the target surface with masking tape or flat black paint. Measure the tape or painted surface when the tape or painted reach the same temperature as the material underneath.

## E. Operation

### Operating the unit :

- 1) Open the battery door and insert a battery properly.
- 2) Pull the trigger to turn on the unit.
- 3) Aim at the target surface and pull the trigger, then temperature will be shown on the LCD. This unit is equipped with a laser, which is only used for aiming.



### Locating a Hot Spot :

To find a hot spot, aim the thermometer outside of interest, then scan across with an up and down motion until you locate the hot spot. (Figure 3)

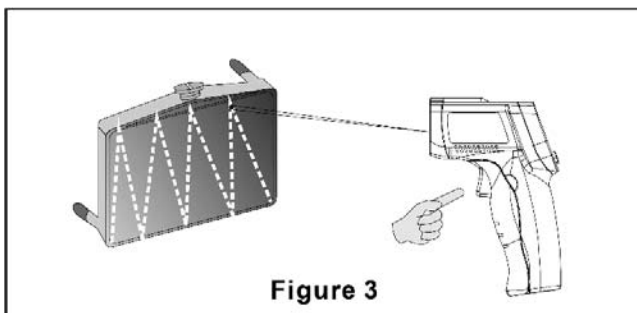


Figure 3

## F. LCD display & Buttons

### 1. LCD display: Figure 4

- a) Data hold icon
- b) Scanning icon
- c) Laser on icon
- d) Backlight on icon
- e) Battery power icon
- f) Temperature unit
- g) Temperature reading

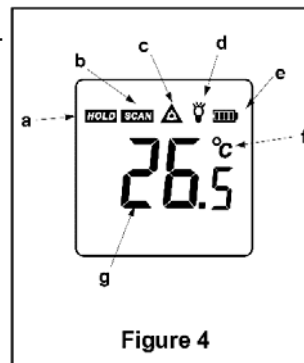


Figure 4

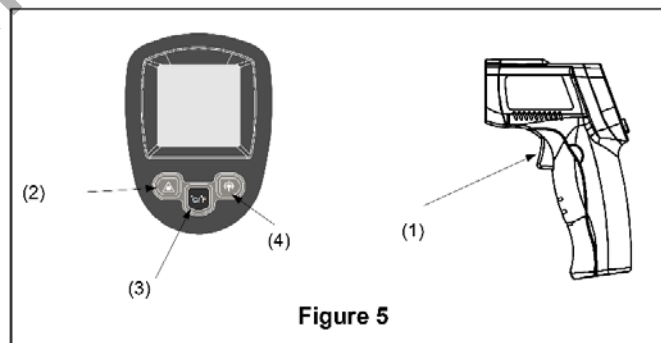


Figure 5

### 2. Buttons: Figure 5

- 1) Trigger: When pull the trigger, LCD display reading with SCAN icon. Release the trigger, display reading with HOLD icon for 7 sec (approx). Built-in 20 sec auto power off function.
- 2) Laser on/off button
- 3) Celsius / Fahrenheit switch button
- 4) Back light on/off button When backlight is on, any operations will activate the backlight for 7 seconds.

## G. Maintenance

1. **Lens Cleaning:** Blow off loose particles using clean compressed air. Gently brush remaining debris away with a moist cotton swab. The swab may be moistened with water.
2. **Case cleaning:** Clean the case with a damp sponge/ cloth and mild soap.

### Note:

- 1) Do not use solvent to clean plastic lens.
- 2) Do not submerge the unit in water.

## H. Specification

Temperature range	-50 ~ 550 °C (-58 ~ 1022 °F)
Accuracy	0~550°C (32 ~ 1022°F) ±1.5°C (± 2.7°F) or ±1.5% -50~0°C (-26~32°F) ±3°C (±5°F) Whichever is greater
Resolution	0.1°C or 0.1°F
Repeatability	1% of reading or 1°C
Response time	500 mSec, 95% response
Spectral response	8-14 um
Emissivity	0.95 Preset (Fixed)
Distance to Spot size	12:1
Operating Temperature	0~ 40°C (32 ~ 104°F)
Operating Humidity	10~95%RH non-condensing up to 30°C (86°F)
Storage Temperature	-20 ~ 60°C (-4 ~ 140°F)
Power	9V *1 Battery
Typical battery life (Alkaline)	Non-laser mode: 22 hrs; Laser Models:12 hrs
Weight	147.5g
Dimension	153x101x43mm



MADE IN CHINA